

Model: TC-603FC



Design feature:

- Applications for Hydraulic, Chemical, Steam, Oil/ Gas, Oxygen, Vacuum.
- Investment Cast Stainless Steel Body & Bonnet.
- Bolted Cover, Swing Type.
- For Horizontal or Vertical Line only.
- Integral Stainless Steel Seat.
- DIN 50049-3.1 Certificate Available

Standard:

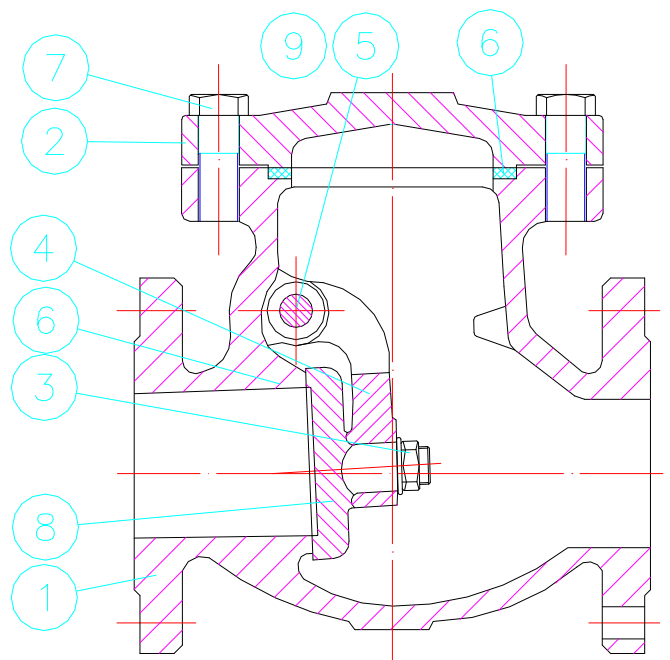
- Basic Design to API 603; ASME B16.34
- Flange dimension according to ANSI B16.5
- Face-to-face meets to ANSI B16.10
- Inspection & testing according to API 598

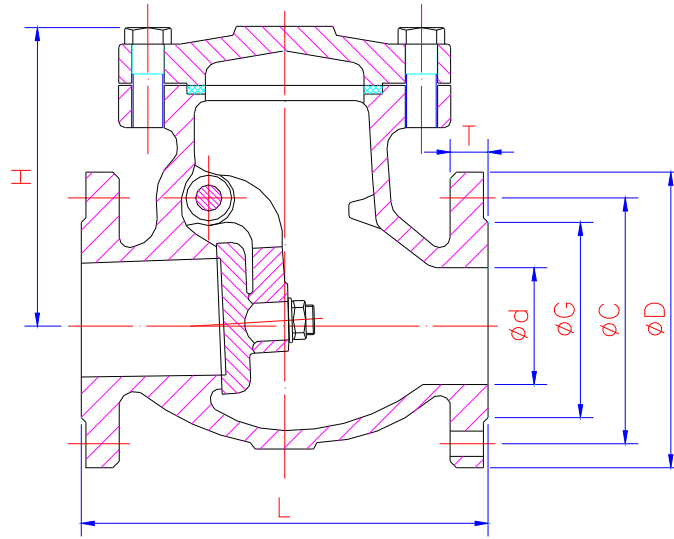
Specifications:

- Flow bore: full port.
- Rating: ANSI Class150/ 300; JIS 10K/ 20K; DIN PN16
- Temperature: -20°F ~ 800°F
- Materials: ASTM A351 CF8M,CF8,CF3M, CF3
- Size range: 1/2”~12”

Materials List:

No.	Part Name	Material
1	Body	ASTM A351 CF8M/ CF8
2	Cover	ASTM A351 CF8M/ CF8
3	Disc Nut	SS 304
4	Swing ARM	ASTM A351 CF8M/ CF8
5	Hinge Pin	SS 304
6	Gasket	PTFE
7	Bolt	SS 304
8	Disc	ASTM A351 CF8M/ CF8
9	Bolt	SS 304



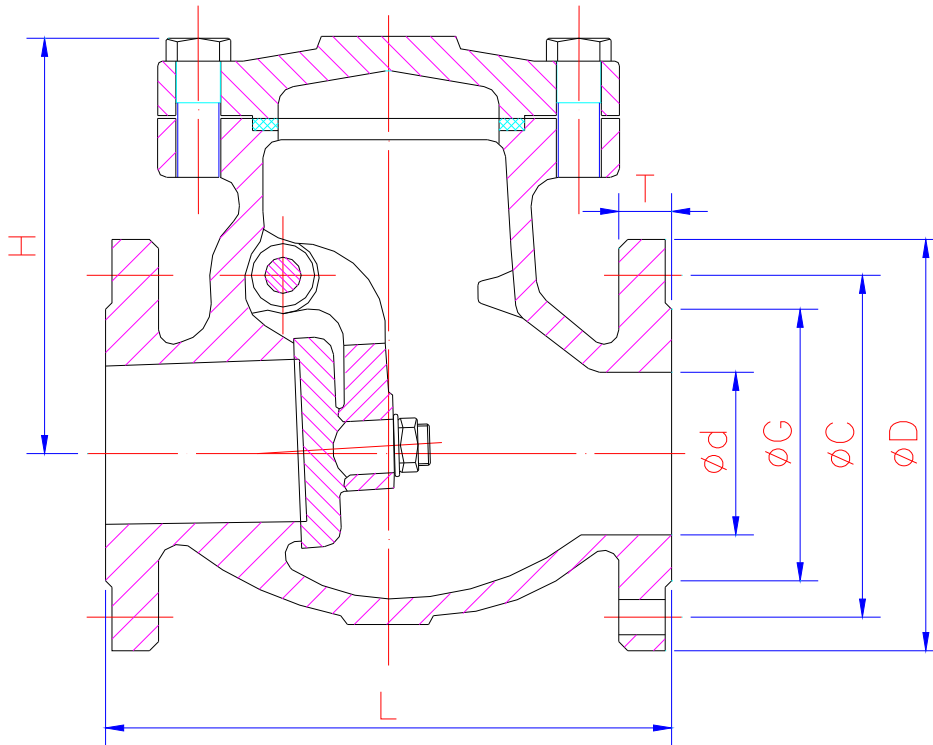


ASNI Class 150 & JIS 10K Dimensions

Size	d	L	H	D		C		G		T	
				150	10K	150	10K	150	10K	150	10K
1/2	15	112	65	89	95	60.5	70	35	51	11.1	12
3/4	20	125	70	98	100	70	75	43	56	11.1	14
1	25	135	75	108	125	79.5	90	51	67	11.1	14
1-1/2	40	165	107	127	140	98.5	105	73	81	14.3	16
2	50	203	120	152	155	120.5	120	92	96	15.9	16
2-1/2	65	216	135	178	175	139.5	140	105	116	17.5	18
3	80	241	147	190	185	152.5	150	127	126	19.1	18
4	100	292	169	229	210	190.5	175	157	151	23.9	18
5	125	330	190	254	250	216	210	186	182	23.9	20
6	150	356	213	279	280	241.5	240	216	212	25.4	22
8	200	495	253	343	330	298.5	290	270	262	28.6	22
10	250	622	279	406	400	362	355	324	324	30.2	24
12	300	698	312	483	445	432	400	381	368	31.8	24

ASNI Class 300 & JIS 20K Dimensions

Size	d	L	H	D		C		G		T	
				300	20K	300	20K	300	20K	300	20K
1/2	15	152	80	95	95	66.5	70	35	52	14.3	14
3/4	20	178	90	117	100	82.5	75	43	58	15.9	16
1	25	216	100	124	125	89	90	51	70	17.5	16
1-1/2	40	241	116	156	140	114.5	105	73	85	20.7	18
2	50	267	129	165	155	127	120	92	100	22.3	18
2-1/2	65	292	143	190	175	149	140	105	120	25.4	20
3	80	318	164	210	200	168	160	127	135	28.6	22
4	100	356	177	254	225	200	185	157	160	31.8	24
5	125	400	217	279	270	235	225	186	195	35	26
6	150	445	231	318	305	270	260	216	230	36.6	28
8	200	559	291	381	350	330	305	270	275	41.3	30
10	250	622	319	444	430	387.5	380	324	345	41.7	34



DIN PN16 Dimensions

Size DN	d	L	H	D	C	G	T
15	15	130	65	95	65	45	14
20	20	150	70	105	75	58	16
25	25	160	75	115	85	68	16
40	40	200	107	150	110	88	16
50	50	230	120	165	125	102	18
65	65	290	135	185	145	122	18
80	80	310	147	200	160	138	20
100	100	350	169	220	180	158	20
125	125	400	190	250	210	188	22
150	150	480	213	285	240	212	22
200	200	600	253	340	295	268	24
250	250	730	279	405	355	320	26
300	300	850	312	460	410	378	26